

Naming

Chapter 4

Naming (1)

- Name resolution allows a process to access a named entity.
- A naming system is necessary.
- In a distributed system the naming system is distributed.

Naming (2)

- In a distributed system
- A **name** is a string.
- An **entity** is a generic resource.

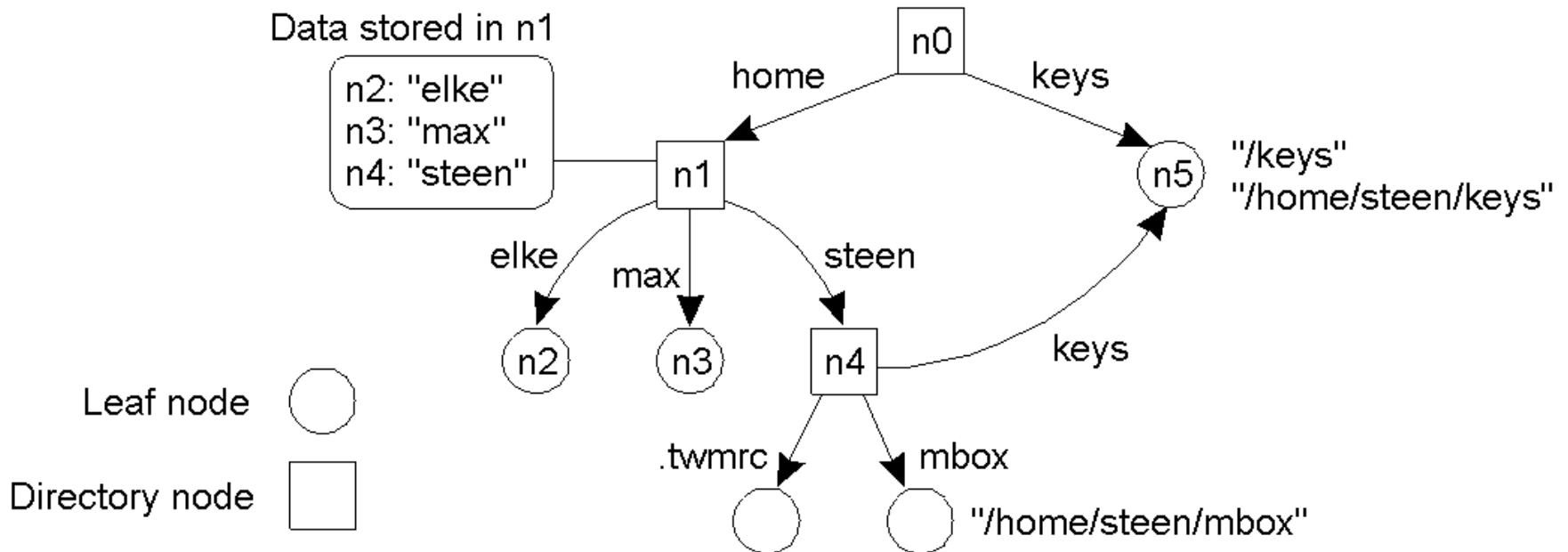
- An **access point** is a special entity.
- A name of an access point is called **address**.

- Ex: Phone - number, channel - frequency

Naming (3)

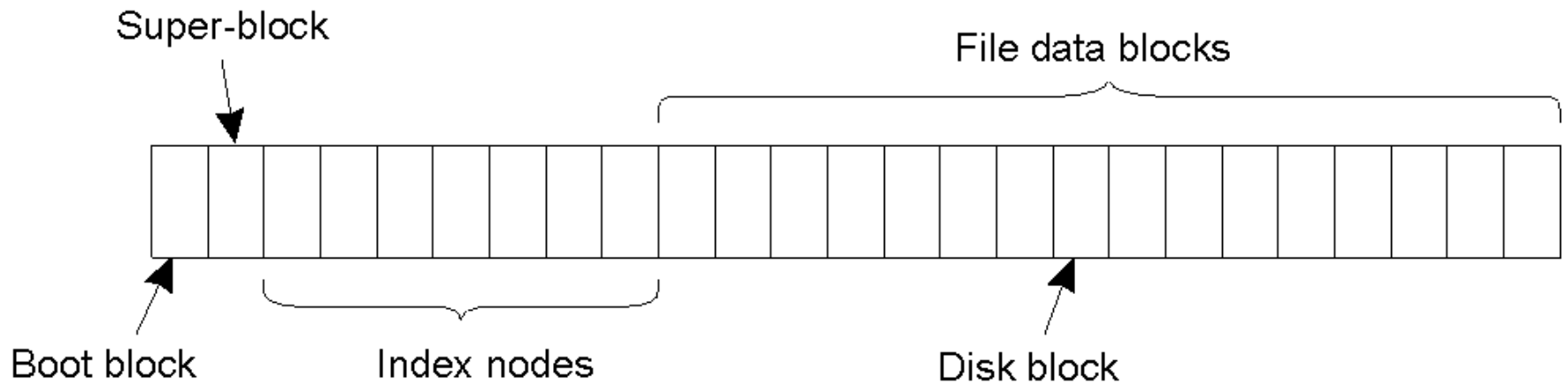
- An entity may have more than one access point.
- An entity name can be **location independent**.
- When
 - a name refers to at most one entity,
 - each entity is referred to by at most one name,
 - a name always refers to the same entity (no reuse)the name is called an **identifier**.

Name Spaces (1)



A general naming graph with a single root node.

Name Spaces (2)



The general organization of the UNIX file system implementation on a logical disk of contiguous disk blocks.

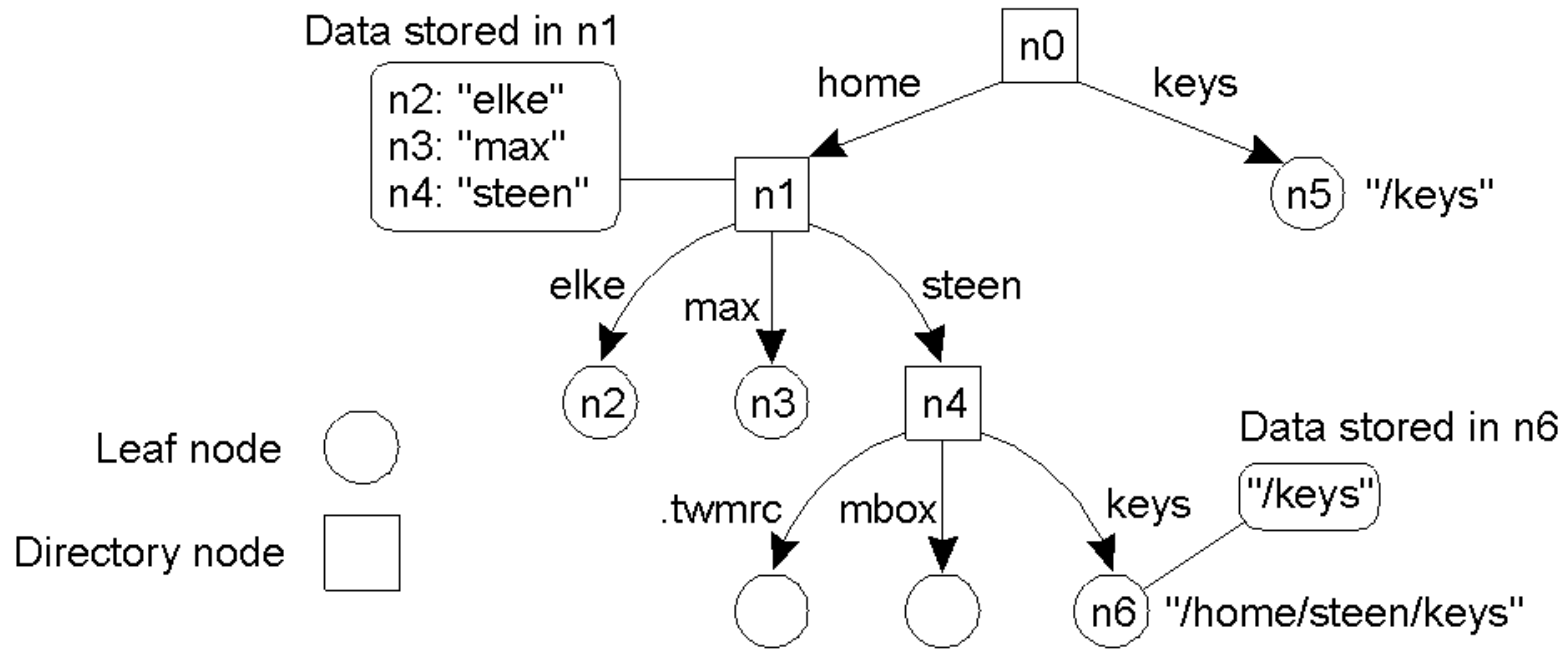
Name resolution

- Distributed name resolution:

$$N: \langle l1, l2, \dots, ln \rangle$$

- Closure mechanism: knowing from where to start name resolution.
- Aliases:
 - hard links
 - symbolic links.

Linking and Mounting (1)



The concept of a symbolic link explained in a naming graph.

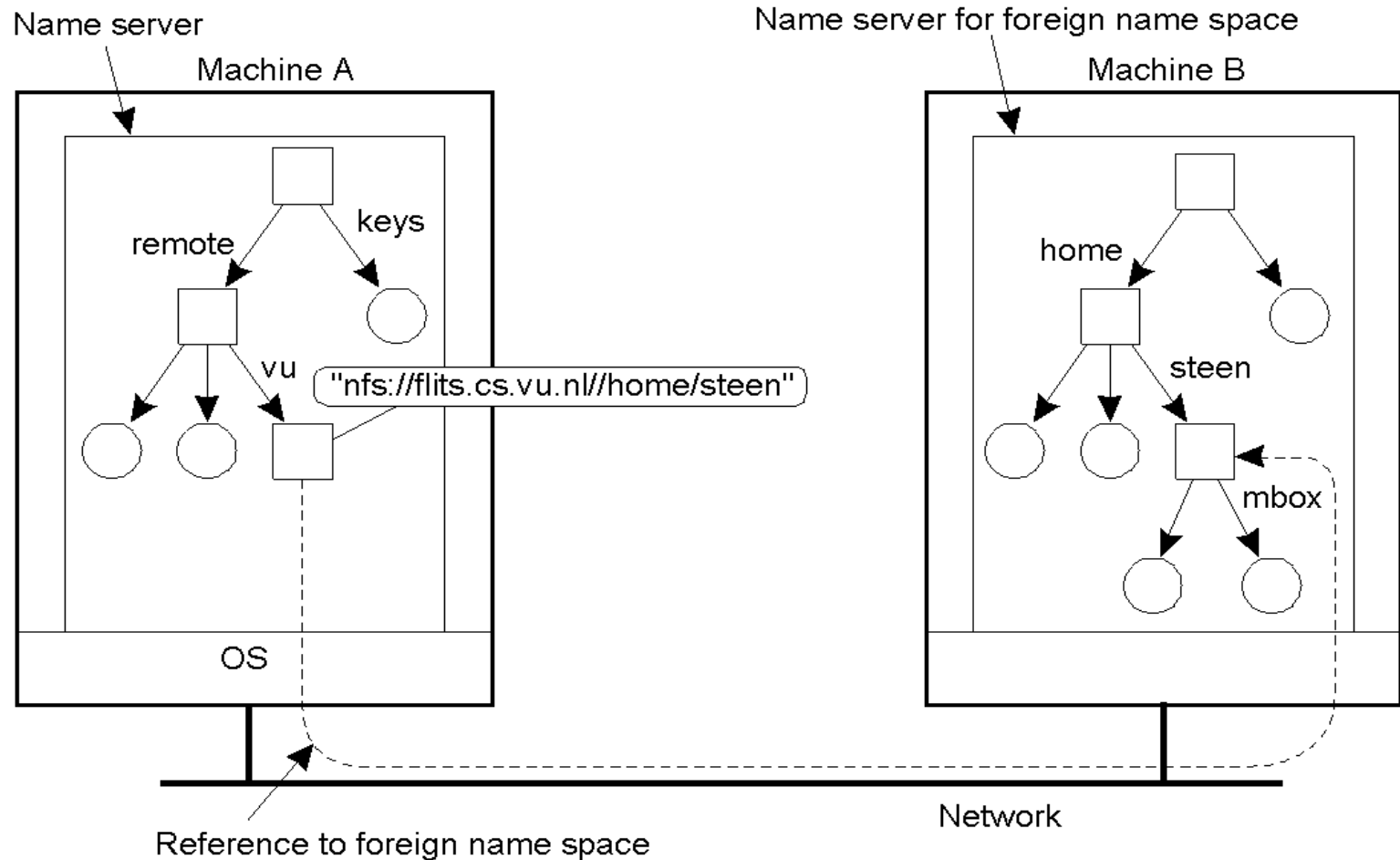
Linking and Mounting (2)

For mounting a remote name space in a distributed system it is necessary to resolve:

- the name of the access protocol,
- the name of the server,
- the name of the mounting point in the remote name space.

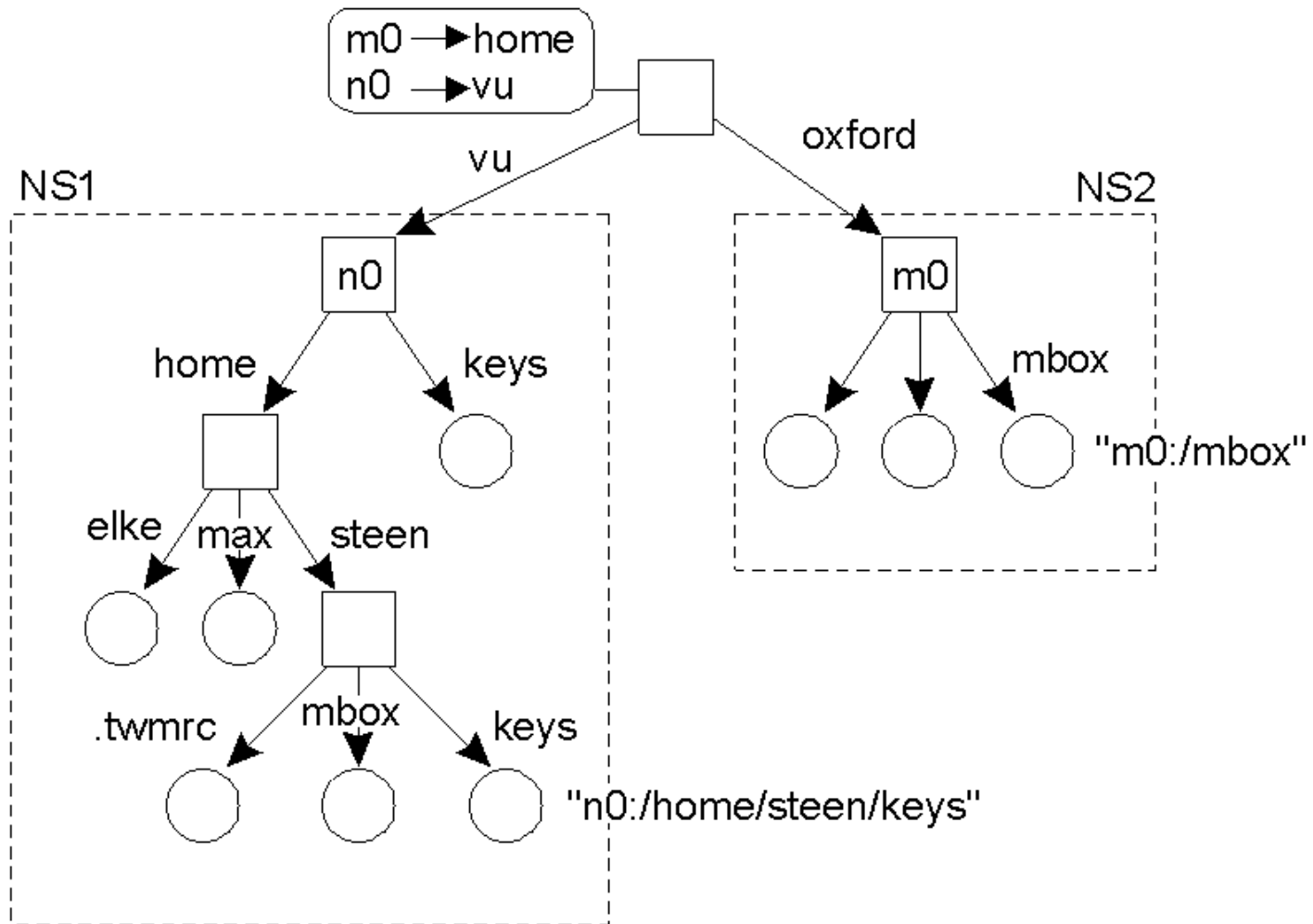
Ex: `nfs://flits.cs.vu.nl/home/steen`

Linking and Mounting (3)



Mounting remote name spaces through a specific process protocol.

Linking and Mounting (3)



Organization of the DEC Global Name Service

Distributed Name Space

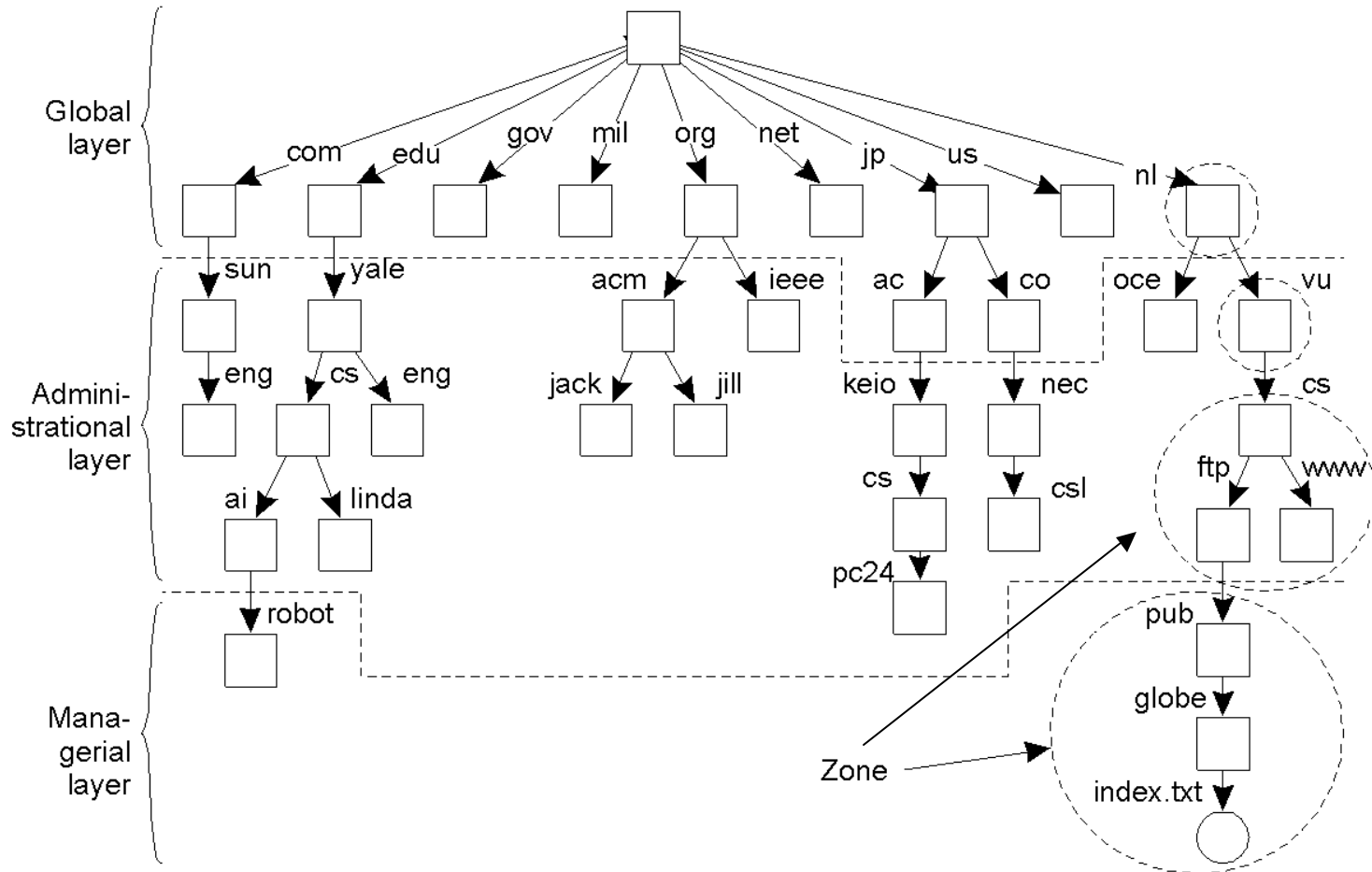
Large distributed systems use hierarchical name servers.

Name server replication may be helpful.

Name spaces can be partitioned in logical layers:

- global layer,
- administration layer,
- managerial layer.

Name Space Distribution (1)



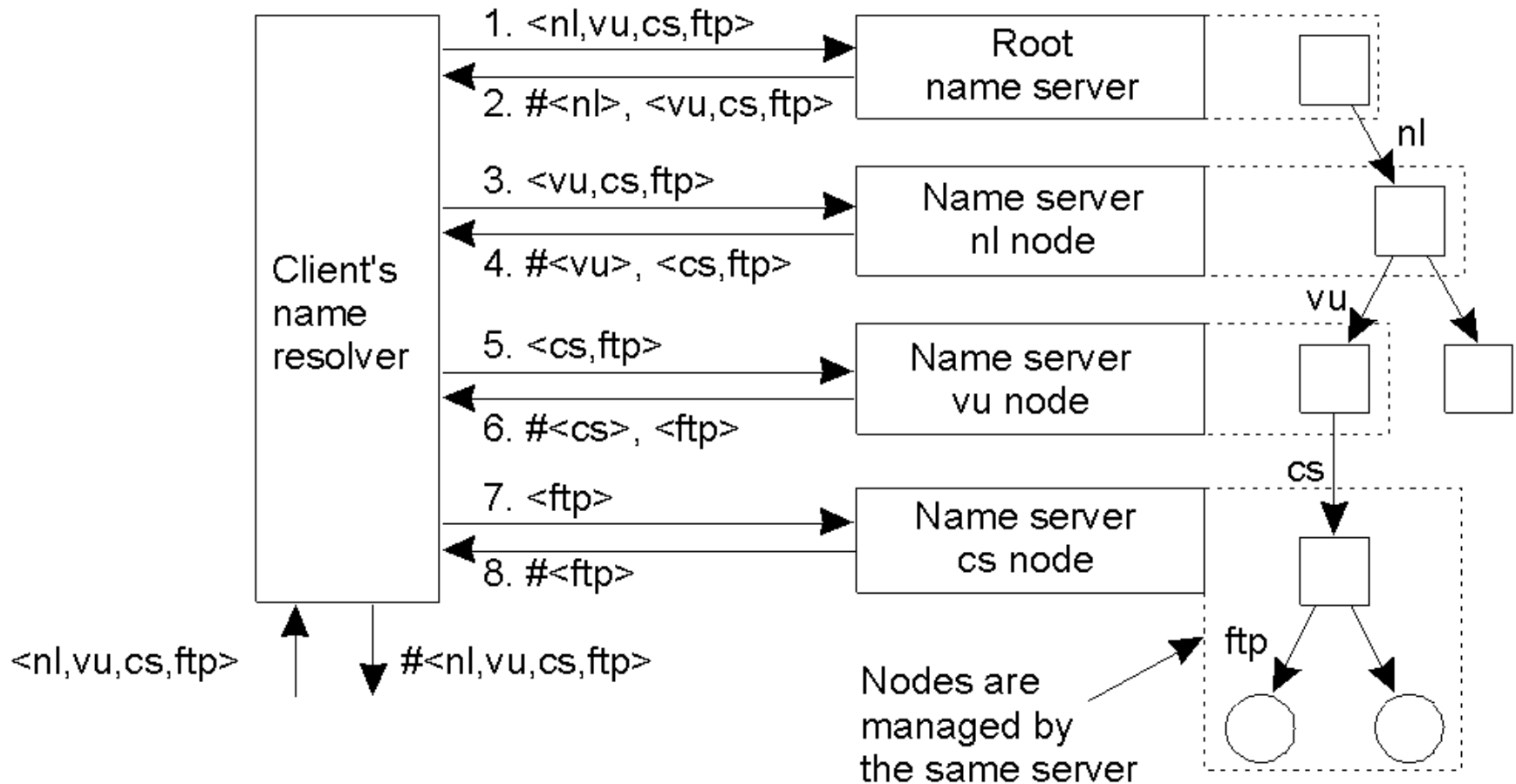
An example partitioning of the DNS name space, including Internet-accessible files, into three layers.

Name Space Distribution (2)

Item	Global	Administrational	Managerial
Geographical scale of network	Worldwide	Organization	Department
Total number of nodes	Few	Many	Vast numbers
Responsiveness to lookups	Seconds	Milliseconds	Immediate
Update propagation	Lazy	Immediate	Immediate
Number of replicas	Many	None or few	None
Is client-side caching applied?	Yes	Yes	Sometimes

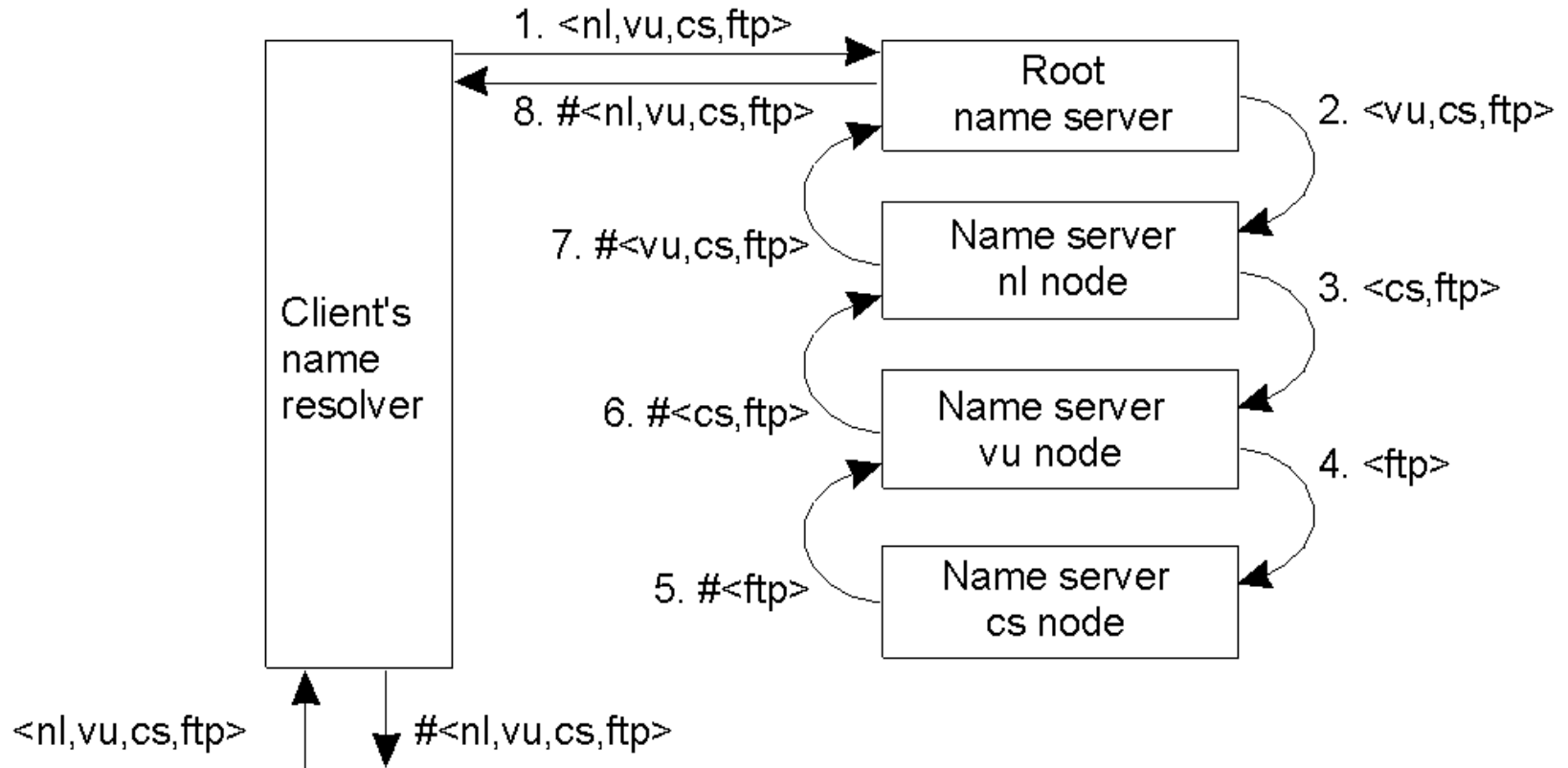
A comparison between name servers for implementing nodes from a large-scale name space partitioned into a global layer, as an administrative layer, and a managerial layer.

Iterative Name Resolution



The principle of iterative name resolution.

Recursive Name Resolution



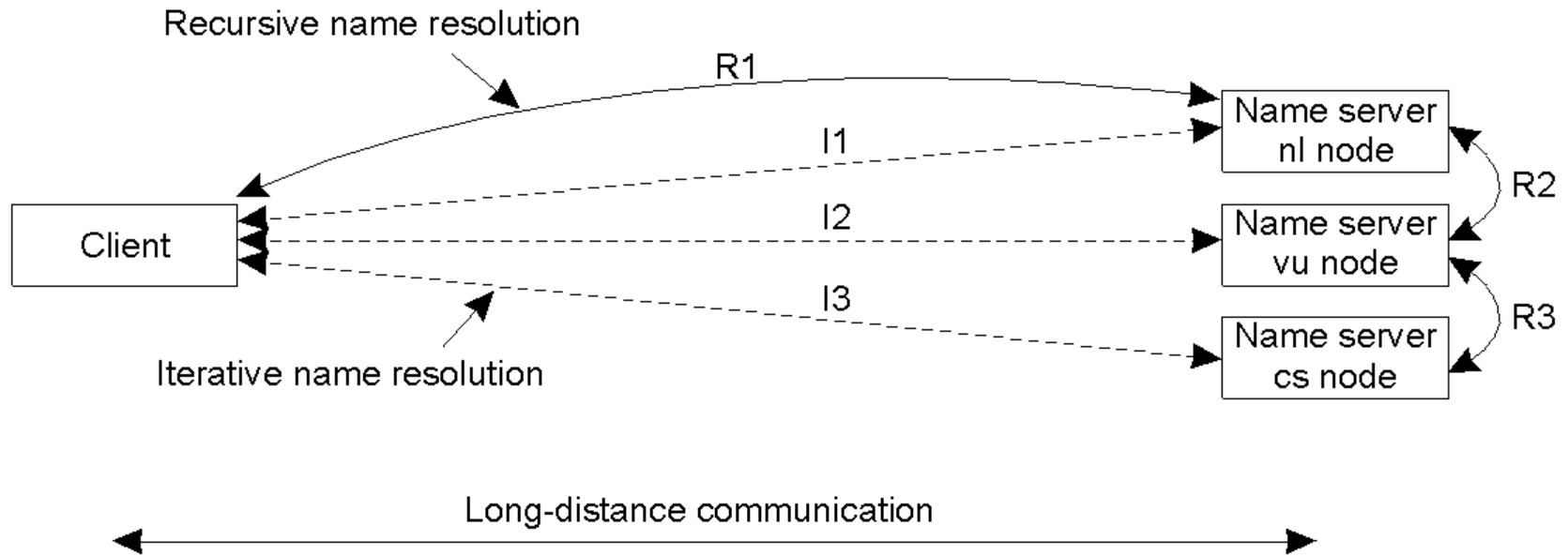
The principle of recursive name resolution.

Recursive Name Resolution

Server for node	Should resolve	Looks up	Passes to child	Receives and caches	Returns to requester
cs	<ftp>	#<ftp>	--	--	#<ftp>
vu	<cs,ftp>	#<cs>	<ftp>	#<ftp>	#<cs> #<cs, ftp>
ni	<vu,cs,ftp>	#<vu>	<cs,ftp>	#<cs> #<cs,ftp>	#<vu> #<vu,cs> #<vu,cs,ftp>
root	<ni,vu,cs,ftp>	#<nl>	<vu,cs,ftp>	#<vu> #<vu,cs> #<vu,cs,ftp>	#<nl> #<nl,vu> #<nl,vu,cs> #<nl,vu,cs,ftp>

Recursive name resolution of $\langle nl, vu, cs, ftp \rangle$. Name servers cache intermediate results for subsequent lookups.

Implementation of Name Resolution



The comparison between recursive and iterative name resolution with respect to communication costs.

The DNS Name Space

Type of record	Associated entity	Description
SOA	Zone	Holds information on the represented zone
A	Host	Contains an IP address of the host this node represents
MX	Domain	Refers to a mail server to handle mail addressed to this node
SRV	Domain	Refers to a server handling a specific service
NS	Zone	Refers to a name server that implements the represented zone
CNAME	Node	Symbolic link with the primary name of the represented node
PTR	Host	Contains the canonical name of a host
HINFO	Host	Holds information on the host this node represents
TXT	Any kind	Contains any entity-specific information considered useful

The most important types of resource records forming the contents of nodes in the DNS name space.

DNS Implementation (1)

An excerpt
from the
DNS
database
for the
zone
cs.vu.nl.

Name	Record type	Record value
cs.vu.nl	SOA	star (1999121502,7200,3600,2419200,86400)
cs.vu.nl	NS	star.cs.vu.nl
cs.vu.nl	NS	top.cs.vu.nl
cs.vu.nl	NS	solo.cs.vu.nl
cs.vu.nl	TXT	"Vrije Universiteit - Math. & Comp. Sc."
cs.vu.nl	MX	1 zephyr.cs.vu.nl
cs.vu.nl	MX	2 tornado.cs.vu.nl
cs.vu.nl	MX	3 star.cs.vu.nl
star.cs.vu.nl	HINFO	Sun Unix
star.cs.vu.nl	MX	1 star.cs.vu.nl
star.cs.vu.nl	MX	10 zephyr.cs.vu.nl
star.cs.vu.nl	A	130.37.24.6
star.cs.vu.nl	A	192.31.231.42
zephyr.cs.vu.nl	HINFO	Sun Unix
zephyr.cs.vu.nl	MX	1 zephyr.cs.vu.nl
zephyr.cs.vu.nl	MX	2 tornado.cs.vu.nl
zephyr.cs.vu.nl	A	192.31.231.66
www.cs.vu.nl	CNAME	soling.cs.vu.nl
ftp.cs.vu.nl	CNAME	soling.cs.vu.nl
soling.cs.vu.nl	HINFO	Sun Unix
soling.cs.vu.nl	MX	1 soling.cs.vu.nl
soling.cs.vu.nl	MX	10 zephyr.cs.vu.nl
soling.cs.vu.nl	A	130.37.24.11
laser.cs.vu.nl	HINFO	PC MS-DOS
laser.cs.vu.nl	A	130.37.30.32
vucs-das.cs.vu.nl	PTR	0.26.37.130.in-addr.arpa
vucs-das.cs.vu.nl	A	130.37.26.0

DNS Implementation (2)

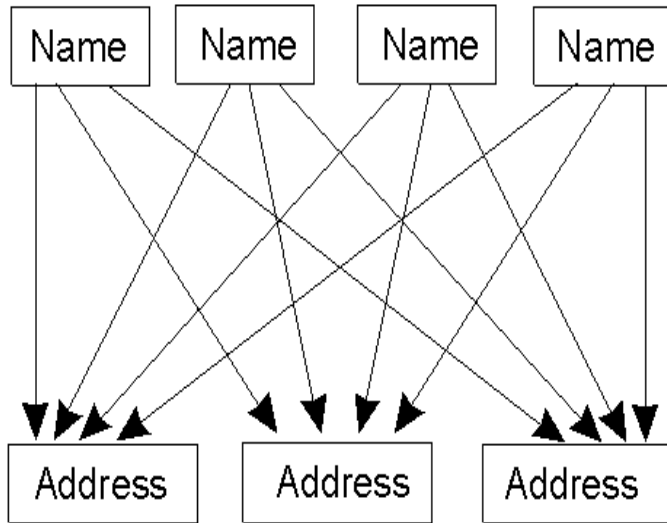
Name	Record type	Record value
cs.vu.nl	NIS	solo.cs.vu.nl
solo.cs.vu.nl	A	130.37.21.1

Part of the description for the *vu.nl* domain which contains the *cs.vu.nl* domain.

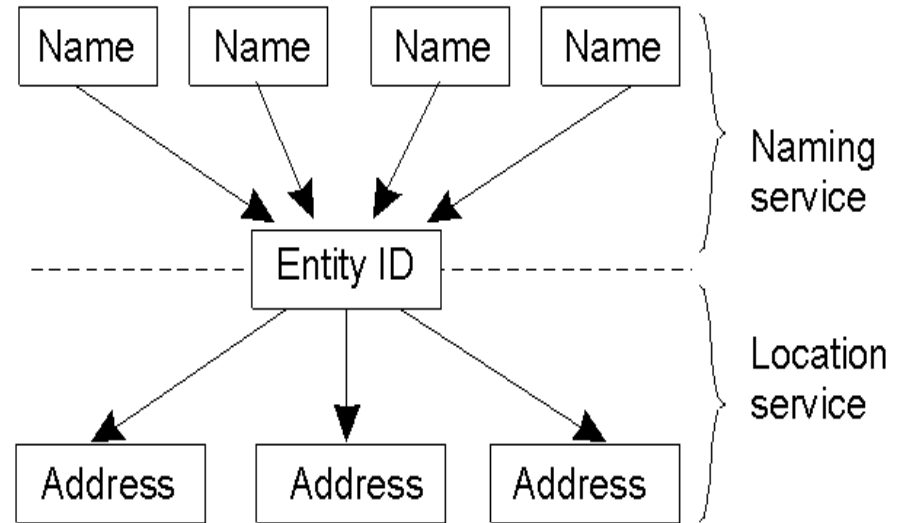
Naming versus Locating Entities

- a) How to handle the moving of servers in different domains ?
 - a) Record the address of the new machine in the DNS entr of the old machine.
 - b) Record the name of the new machine in the DNS entr of the old machine.
- b) A multi-step look up is needed.

Naming versus Locating Entities



(a)



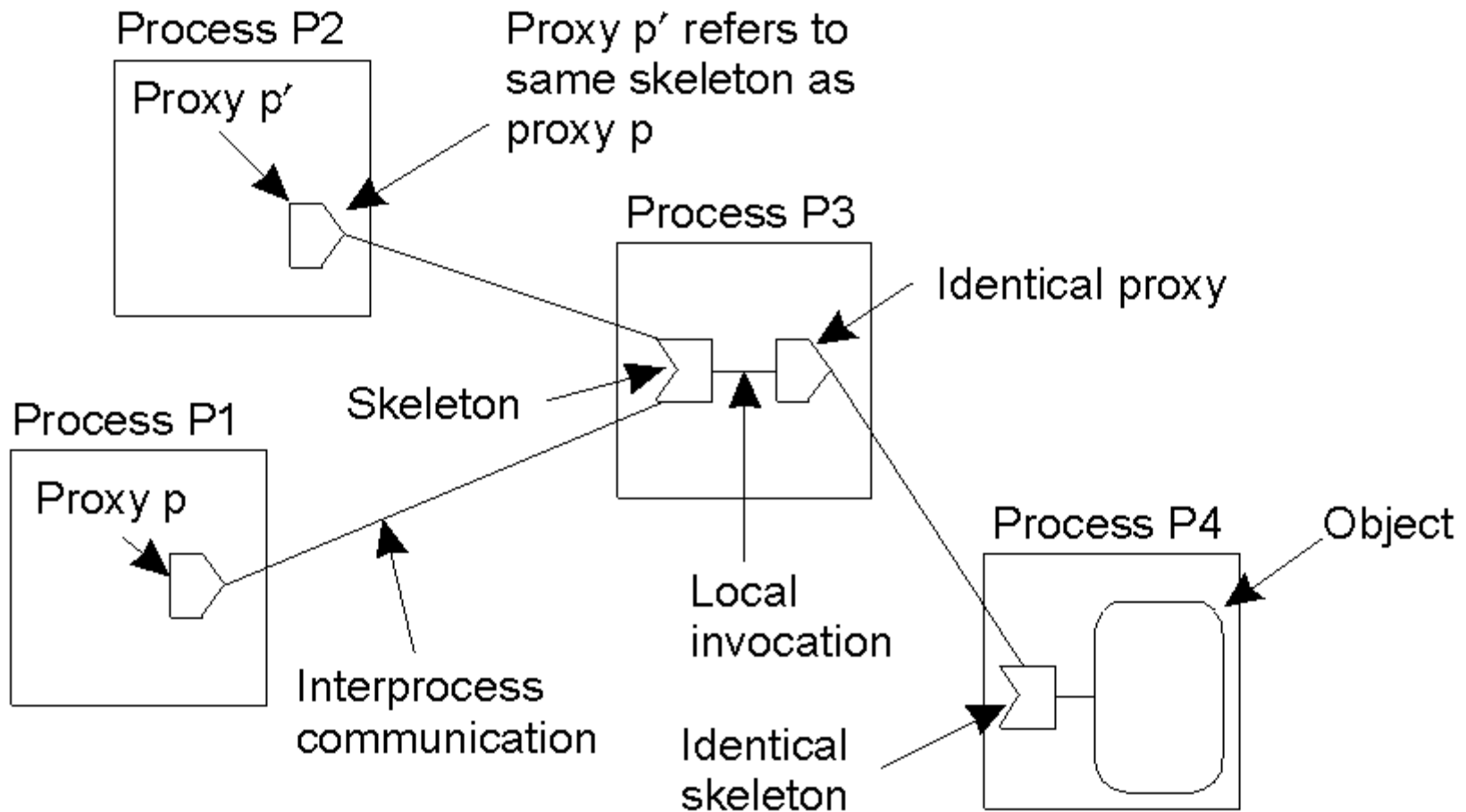
(b)

- Direct, single level mapping between names and addresses.
- Two-level mapping using identities.

Broadcasting and Multicasting

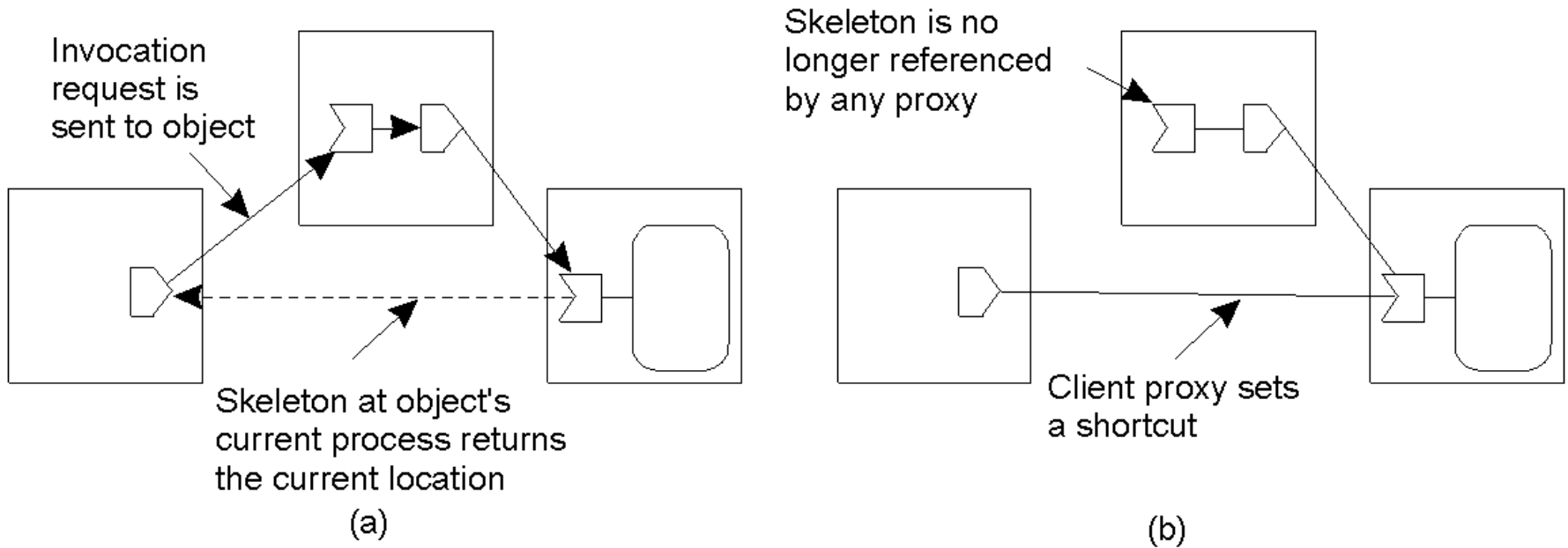
- In a LAN with a few nodes broadcasting can be used.
 - An entity id is sent to each machine asking it to check for the entity owner.
- When the number of nodes is large multicasting can be used.

Forwarding Pointers (1)



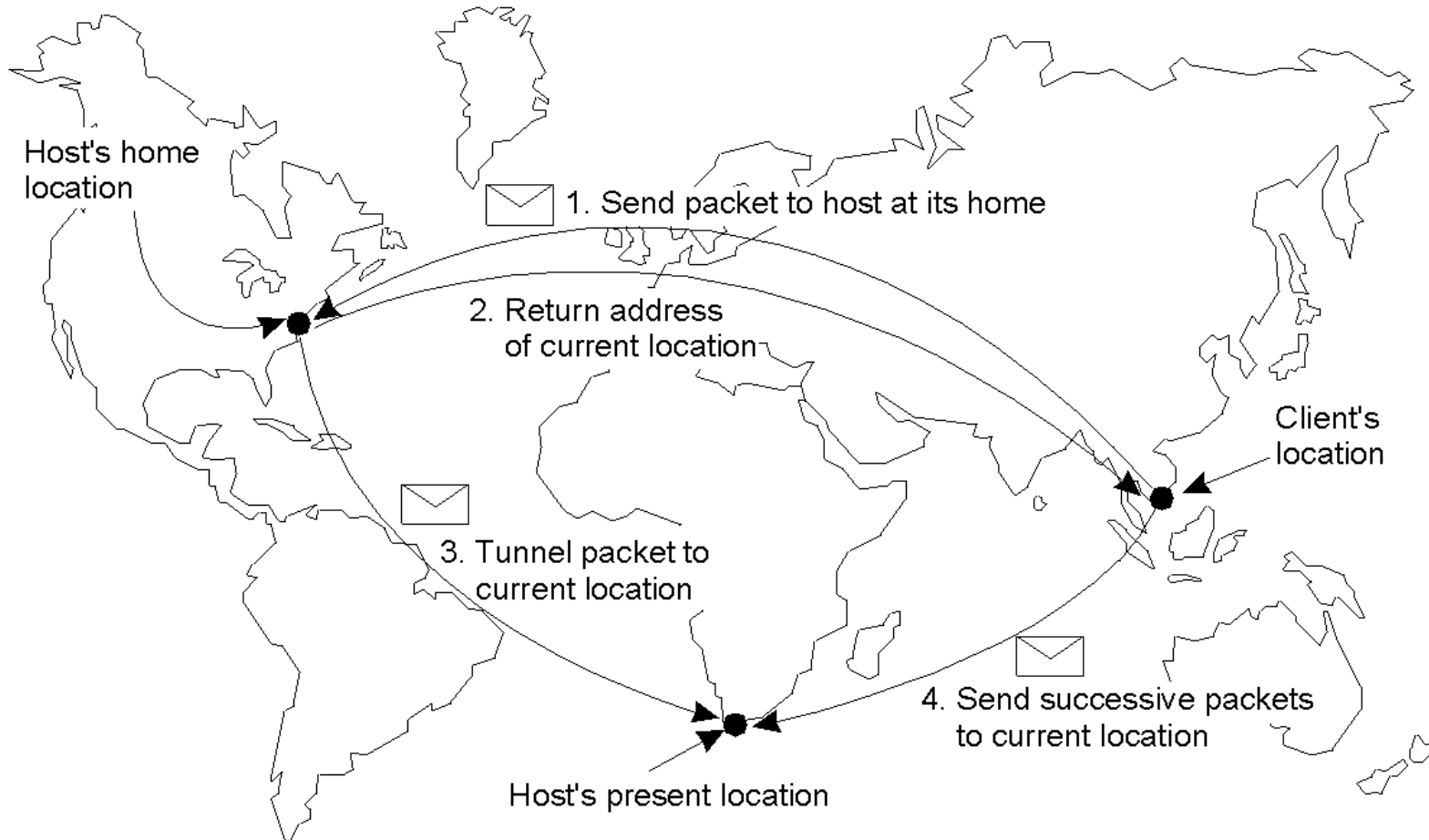
The principle of forwarding pointers using *(proxy, skeleton)* pairs.

Forwarding Pointers (2)



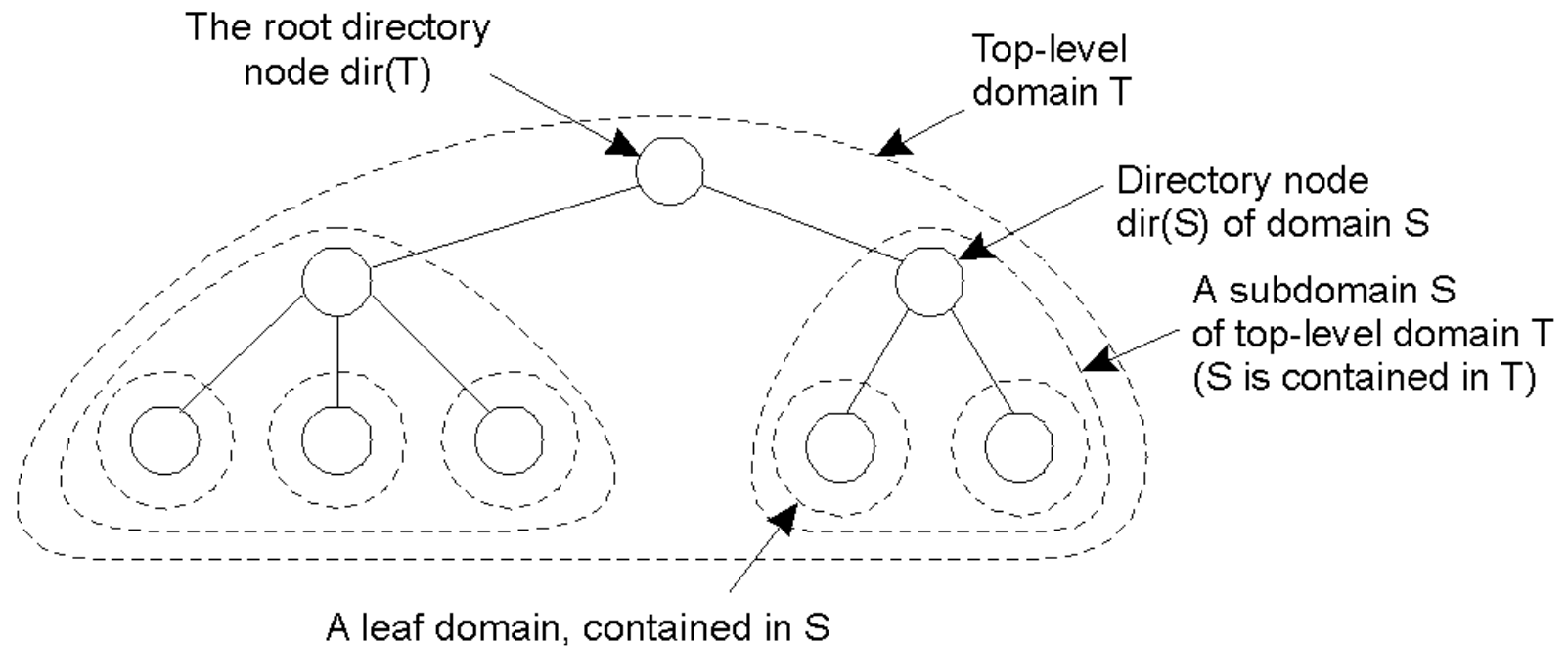
Redirecting a forwarding pointer, by storing a shortcut in a proxy.

Home-Based Approaches



The principle of Mobile IP.

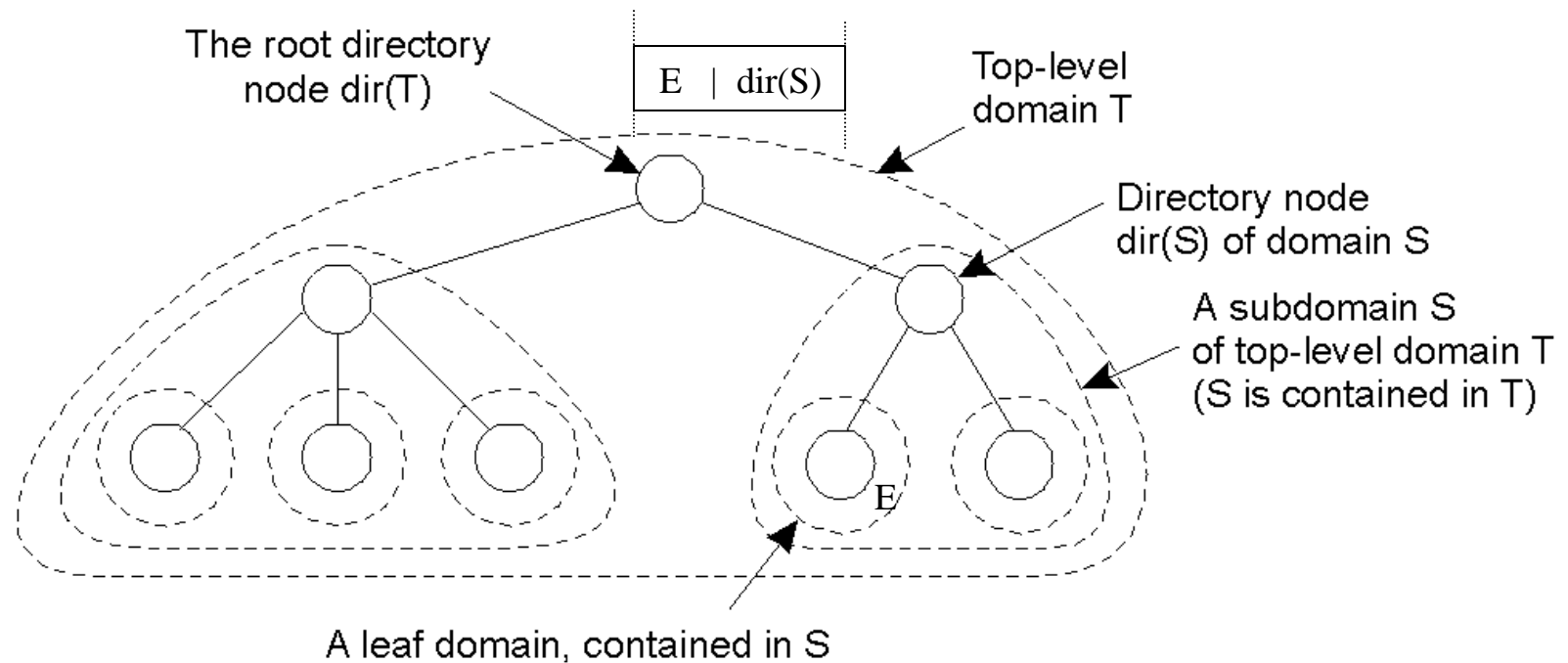
Hierarchical Approaches (1)



Hierarchical organization of a location service into domains, each having an associated directory node.

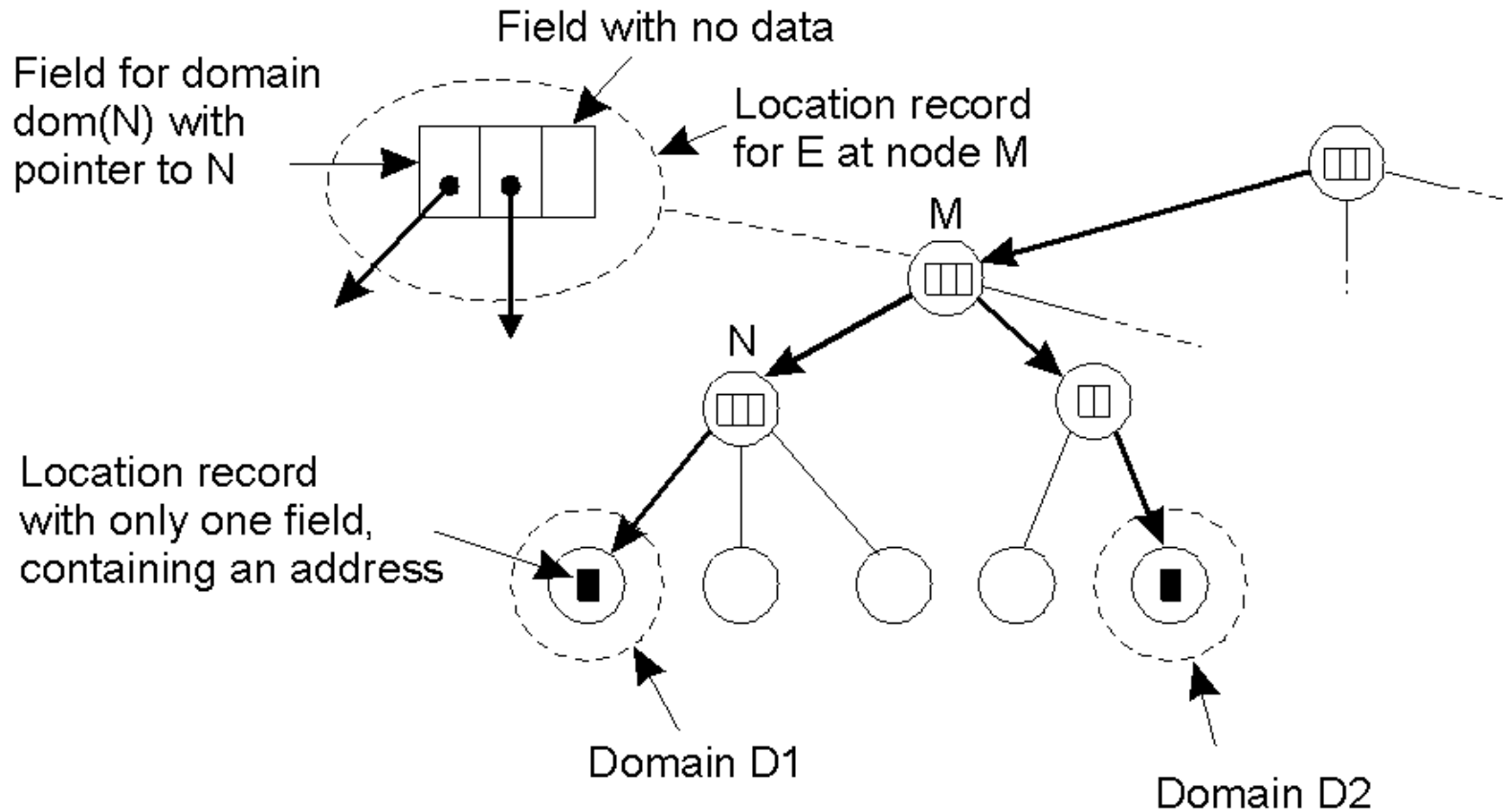
An entity in \mathbf{D} is identified by a location record in $\mathbf{dir}(\mathbf{D})$.

Hierarchical Approaches (2)



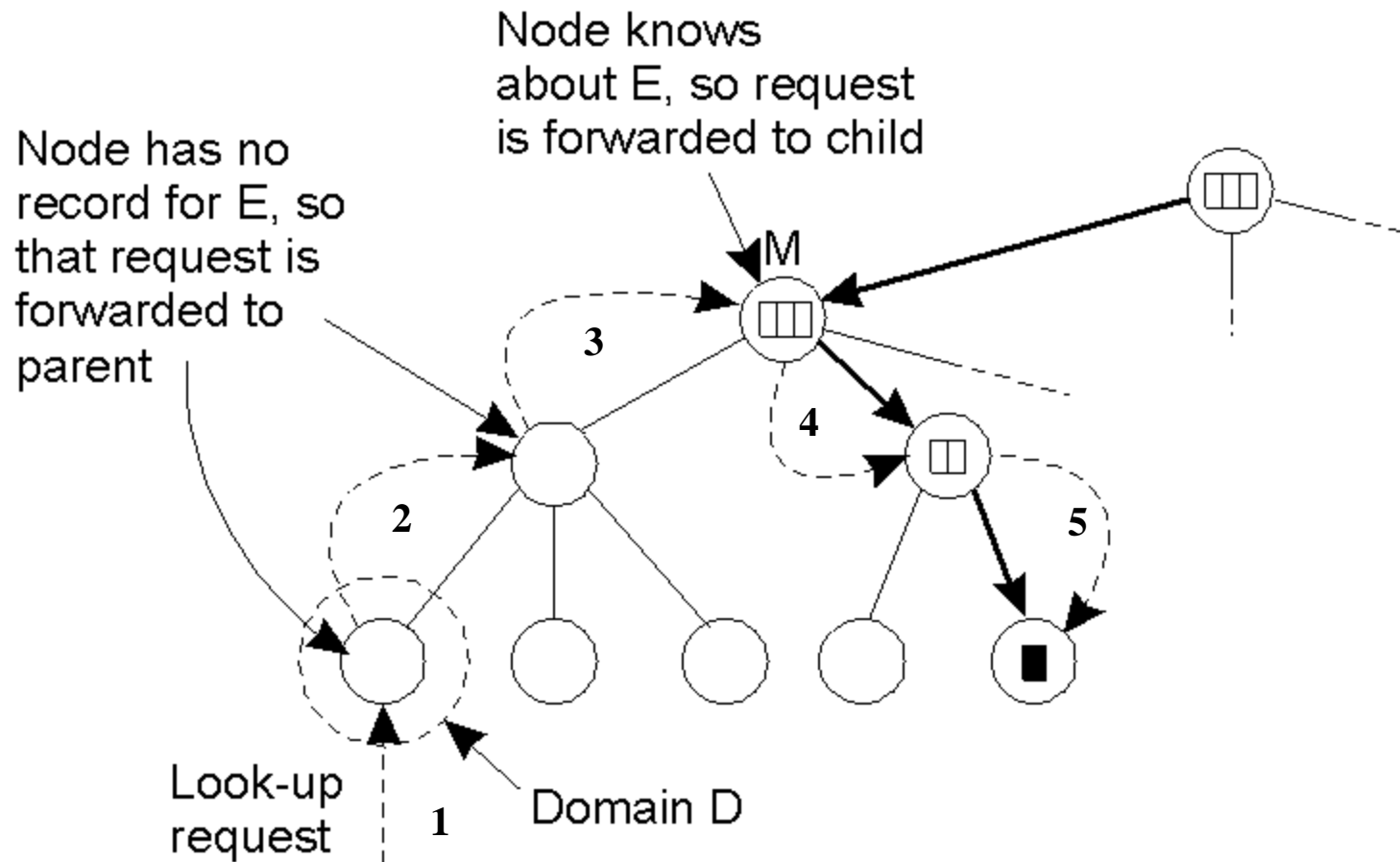
A sub-tree root node contains an entry for each entity. The location record contains a pointer to the directory node of the next lower-level sub-domain.

Hierarchical Approaches (3)



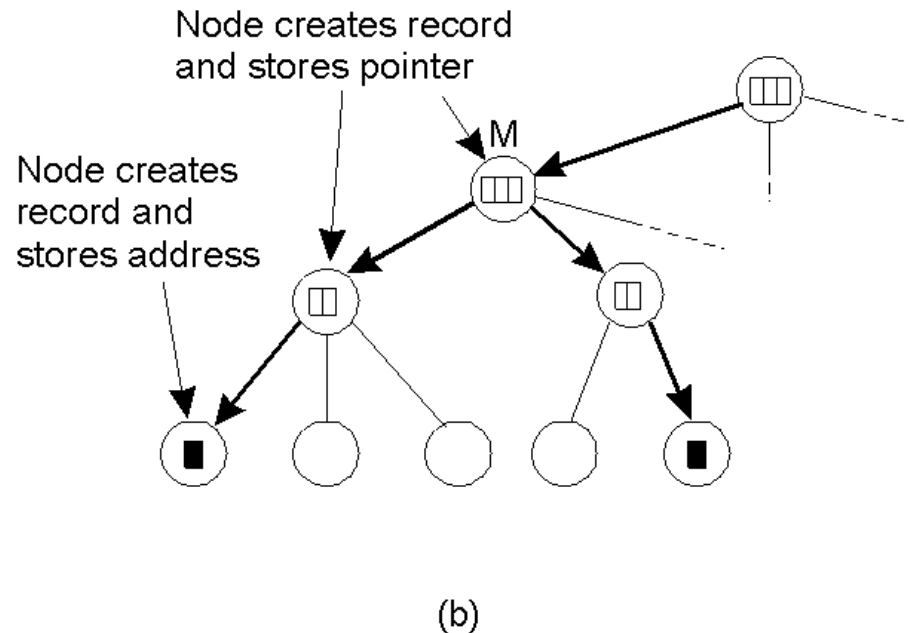
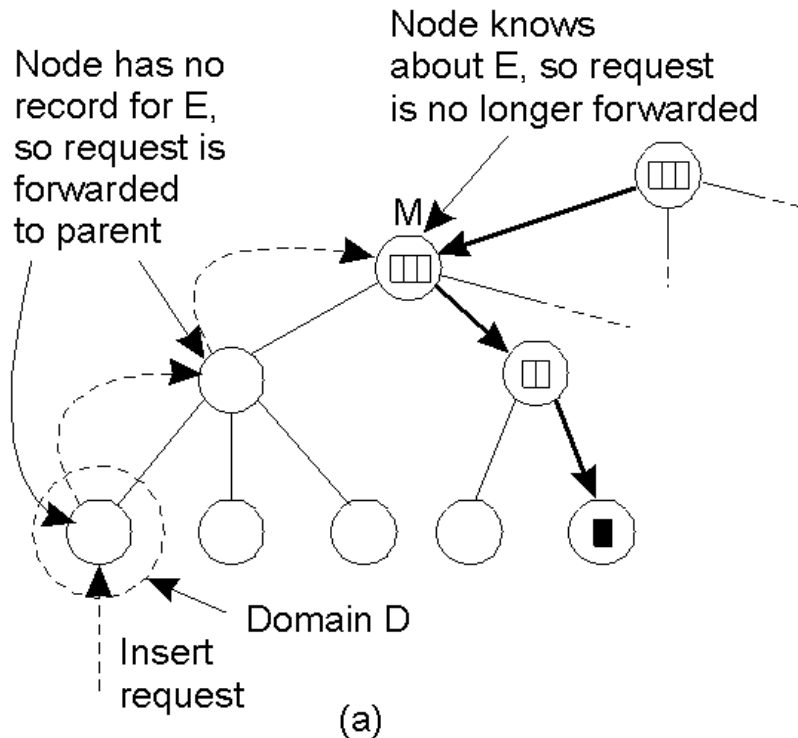
An example of storing information of a replicated entity having two addresses in different leaf domains.

Hierarchical Approaches (4)



Looking up a location in a hierarchically organized location service.

Hierarchical Approaches (5)



- a) An **insert** request is forwarded to the first node that knows about entity E .
- b) A chain of forwarding pointers to the leaf node is created.

Scalability Issues

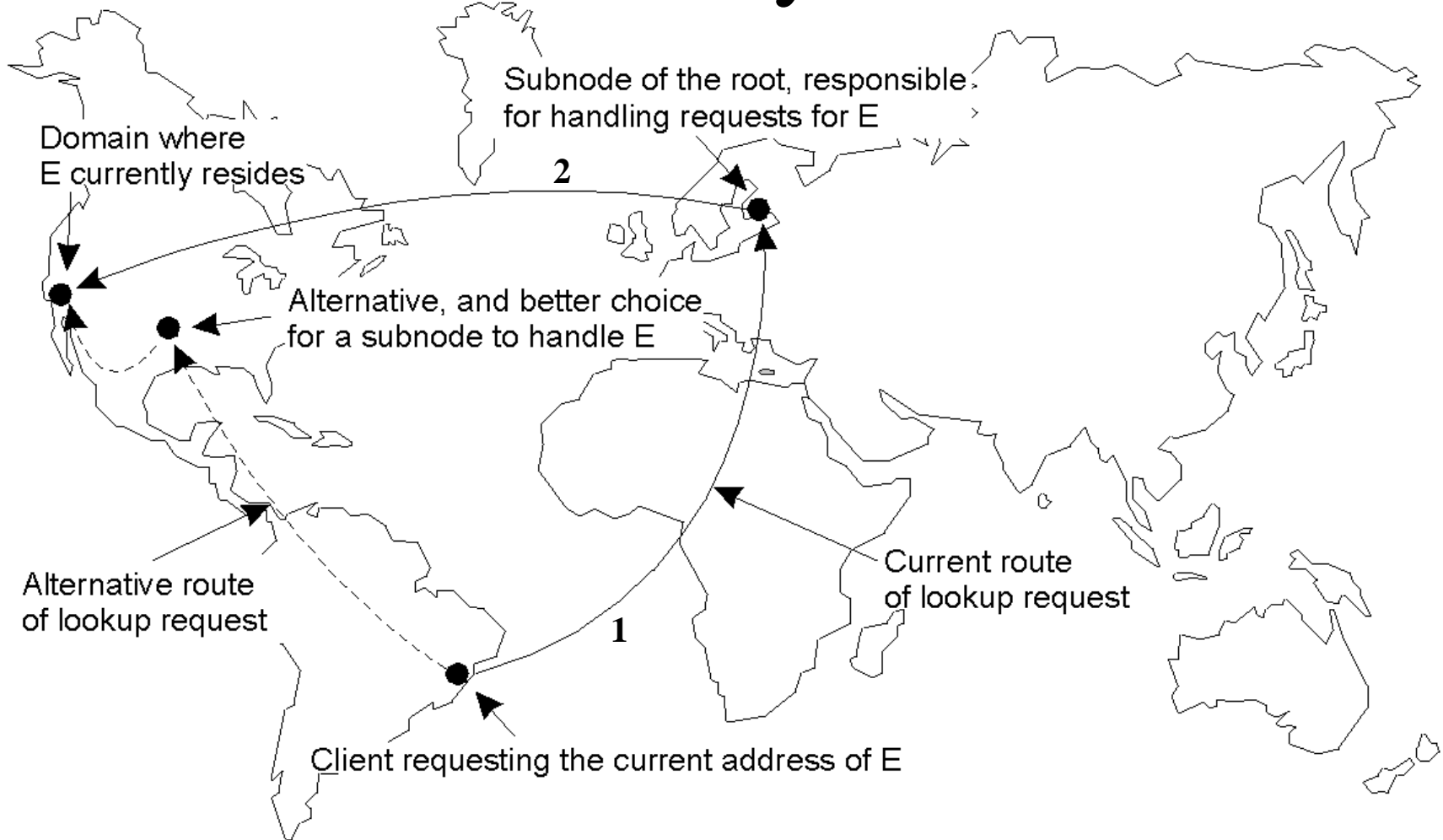
In hierarchical location services the root node must store entries for all of the entities.

The root node can be the system bottleneck.

It can be partitioned in a set of nodes that handle a subset of entities.

Finding the best way to locate the nodes is a challenging issue.

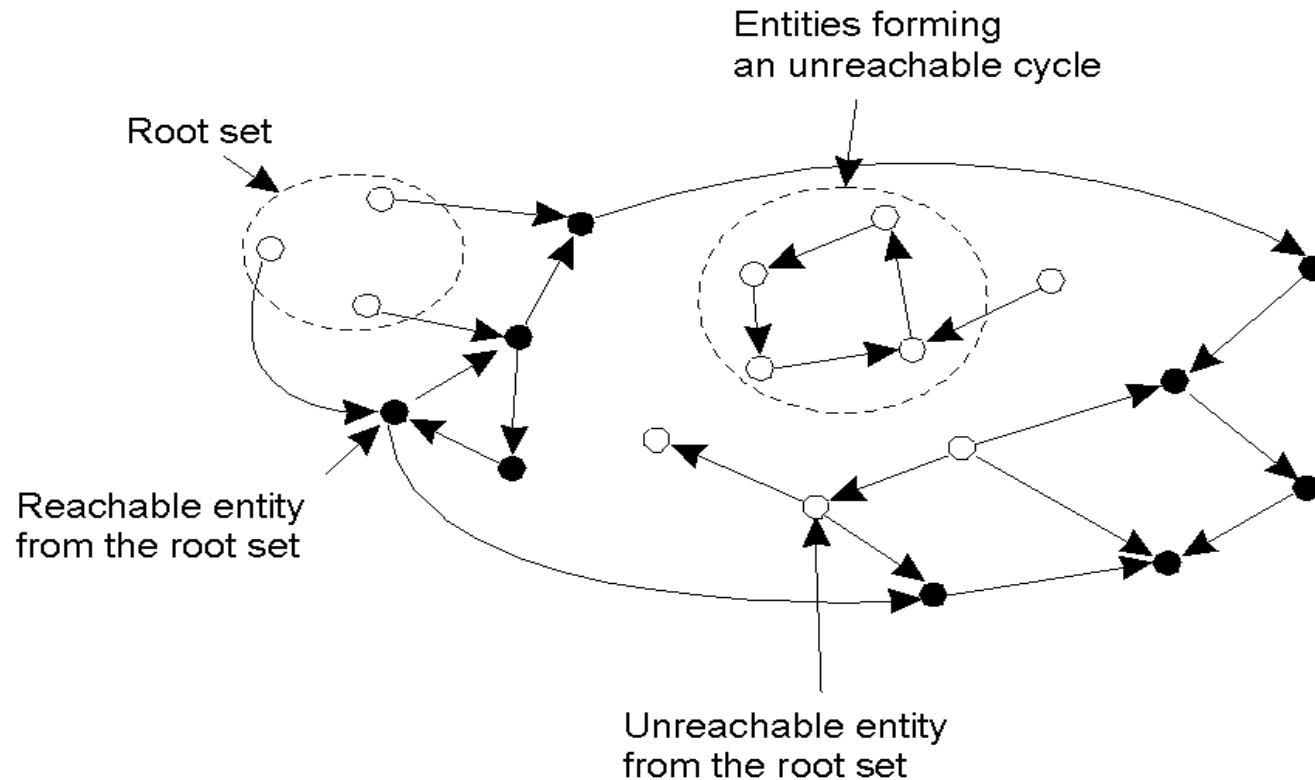
Scalability Issues



The scalability issues related to uniformly placing subnodes of a partitioned root node across the network covered by a location service.

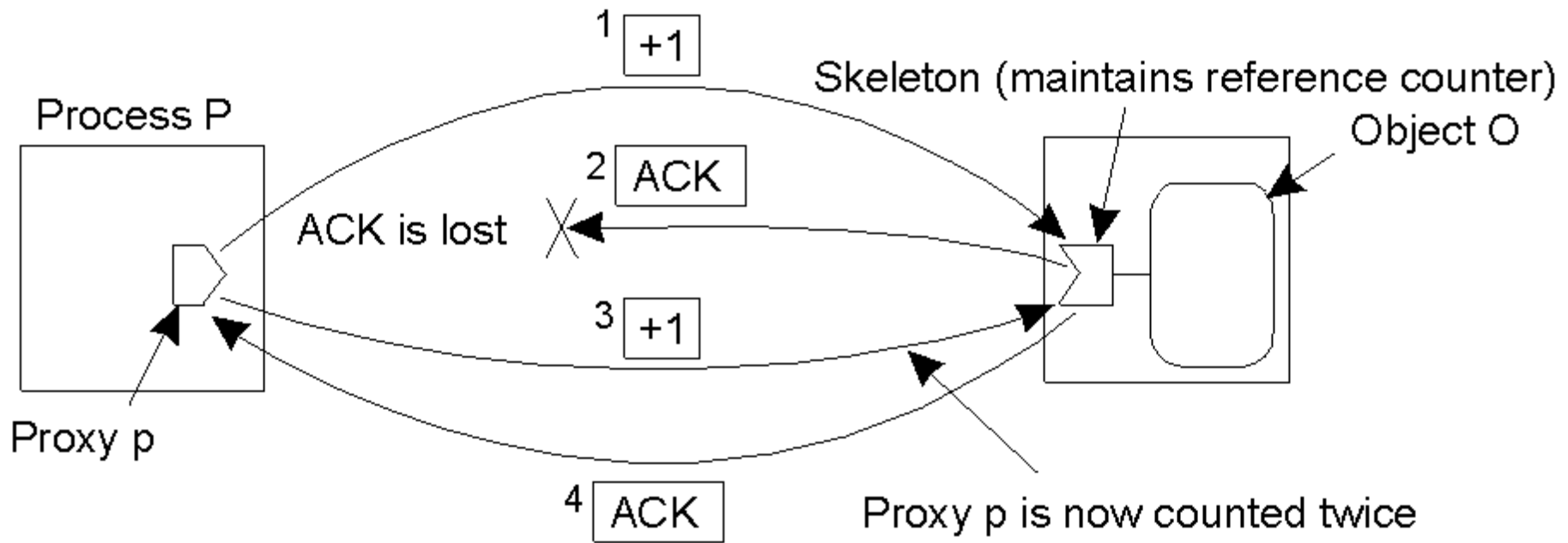
The Problem of Unreferenced Objects

Solution: distributed garbage collector.



An example of a graph representing objects containing references to each other. White nodes should be removed.

Reference Counting (1)



The problem of maintaining a proper reference count in the presence of unreliable communication: *detect duplicate messages*.